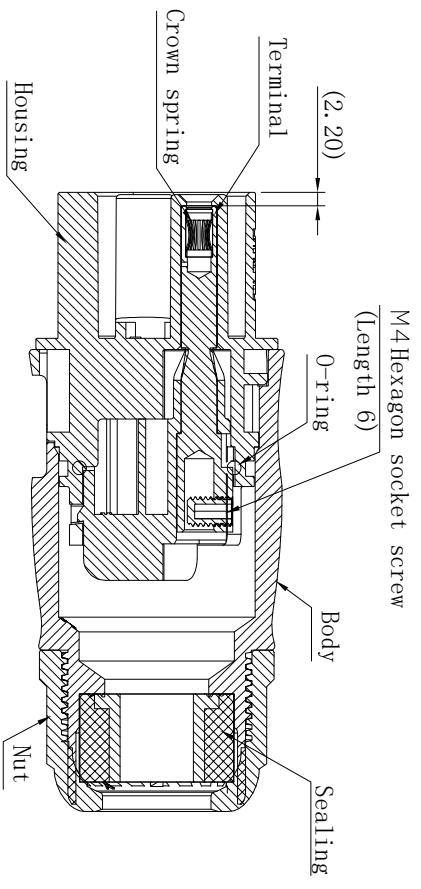
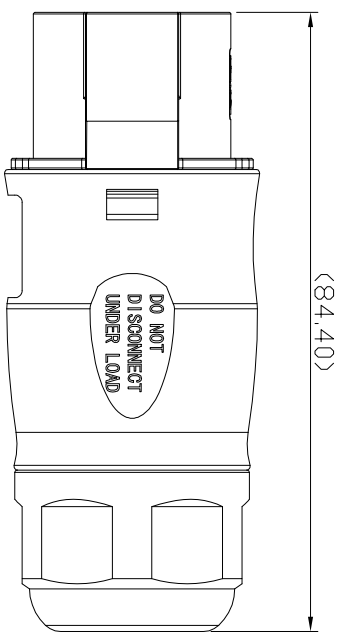
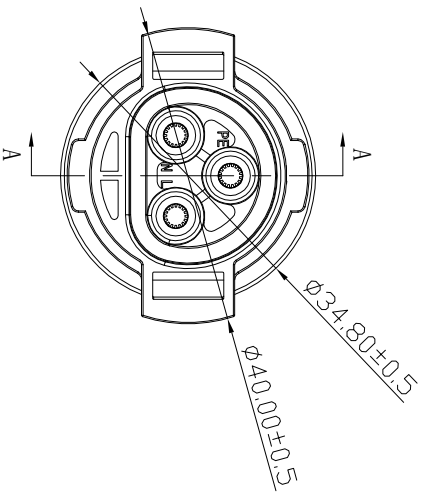


Rev.	ECN No.	Description	App.
A	N/A	First Issue	Jason

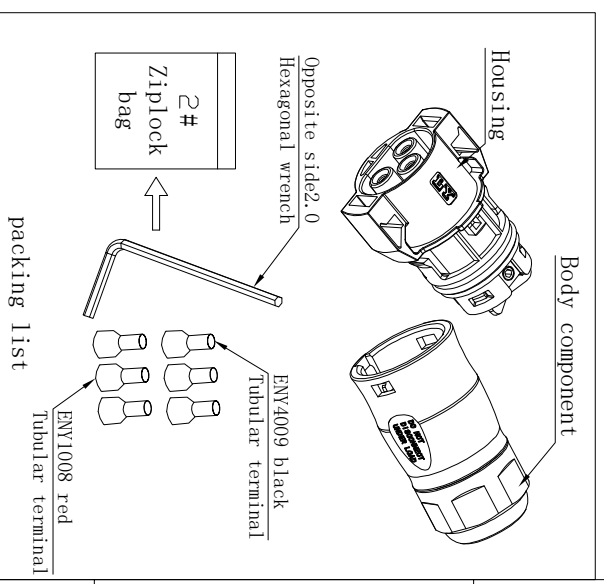


Deye

Technical Data :

- Electrical:**
1. Rated Voltage : 690V
 2. Rated Current : 40A
 3. Rated Impulse Voltage: 4000V
 4. Contact Resistance : $\leq 5m\Omega$
 5. Insulation Resistance : $\geq 500M\Omega$
- Mechanical:**
1. Life cycle : 500 cycle;
 2. Mating and Unmating Force : $\leq 80N$
 3. Cable Gauge : $1.5 \sim 6.0mm^2$ (16~10AWG)

- Environmental:**
1. Waterproof Rate : IP68
 2. Application Temperature : $-40^{\circ}C \sim +85^{\circ}C$
- Terminal plating: 80u" Ag Plating, Over Ni Plating**



		苏州鲁益电子科技有限公司 Su Zhou Luyi Electronic Technology Co.,LTD.		Name:		C-Drawing	
Undeclared tolerance:		Approved		Title:		WN2 3P Female Conn.	
1. Reference : GB/T1804-m		Jason		(Screw crimping)			
2. Draft Angle 0.5° Max.		Date		P/N:		WN-01-7-40	
		2023-11-14		Drawing No.:		30220405000202	
		Checked		Design		SIZE SHEET REV.	
		Bruce		Yibin, Li		A4 1/1 A	
		Date		Date			
		2023-11-14		2023-11-14			

The intellectual property rights of the drawings and specifications belong to Luyi Electronic Technology Co.,LTD. No Su Zhou Luyi Electronic Technology Co.,LTD. shall not be granted to any Made reprint, copy.

1 2 3 4 5 6