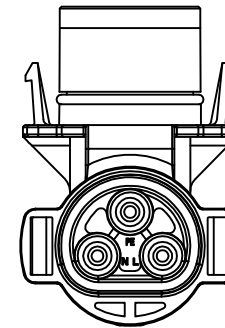
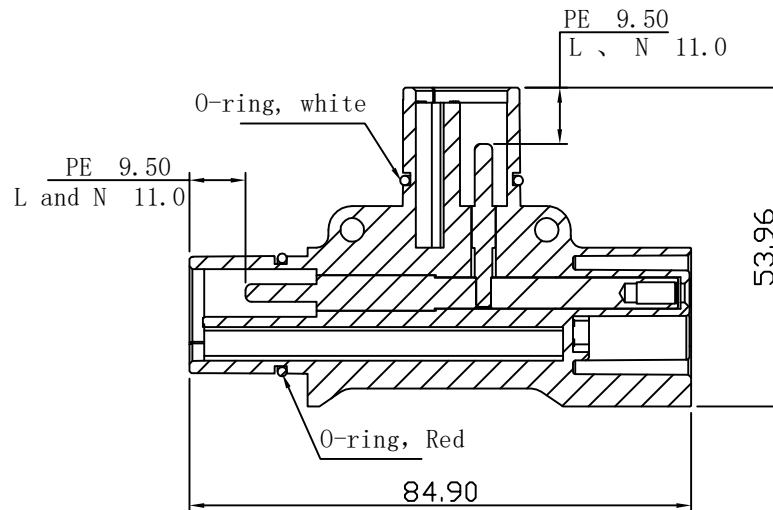
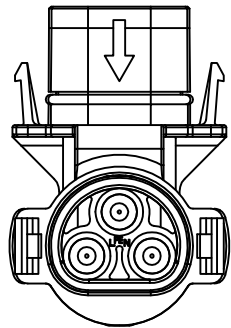
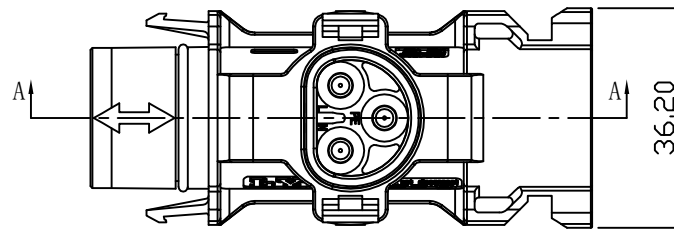


Rev.	ECN No.	Description	App.
AO	N/A	First Issue	Jason



section A-A

Technical Data :

Electrical:

1. Rated Voltage : 690V
2. Rated Current : 40A/15A
3. Rated Impulse Voltage: 4000V
4. Contact Resistance :  $\leq 15m\Omega$  ;
5. Insulation Resistance :  $\geq 500M\Omega$

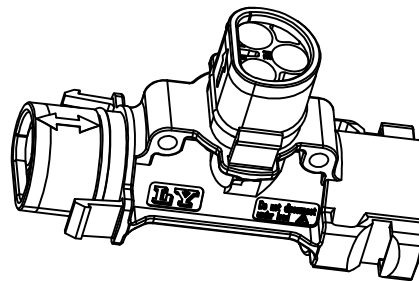
Mechanical:

1. Life cycle : 500 cycle;
2. Mating and Unmating Force:  $\leq 80N$
3. Cable Gauge: 1.5~6.0mm<sup>2</sup> (16~10AWG) ;

Environmental:

1. Waterproof Rate : IP67
2. Application Temperature : -40°C~+85°C

Terminal plating: 80u" Ag Plating, Over Ni Plating



Deye

 苏州鲁益电子科技有限公司 Su Zhou Luyi Electronic Technology CO.,LTD.		Name: C-Drawing					
Undeclared tolerance:		Approved Jason	Title: WN 3T Conn.				
1. Reference : GB/T1804-m		Date 2023-04-26	P/N: WN03-4015-D				
2. Draft Angle 0.5° Max.		Checked Bruce					
The intellectual property rights of the drawings and specifications belong to Su Zhou Luyi Electronic Technology CO.,LTD. Not Su Zhou Luyi Electronic Technology CO.,LTD. shall not be granted to any Mode reprint, copy.		Date 2023-04-26	Drawing No.: 30220405000127				
		Design Chunli, Chen					
		Date 2023-04-26		<table border="1"> <tr> <th>SIZE</th> <th>SHEET</th> <th>REV.</th> </tr> <tr> <td>A4</td> <td>1 / 1</td> <td>A0</td> </tr> </table>	SIZE	SHEET	REV.
SIZE	SHEET	REV.					
A4	1 / 1	A0					