

# DHI-HY-FT431LFP

## Flame Detection Network Camera



### System Overview

Together with Visible and Thermal technology, this flame detection network camera provides an all-in-one solution for video surveillance. This camera has the ability to detect flame from long range, supports cold and hot spot alarm function and industrial temperature measurement alarm functions, enables flame tracking and positioning, and provides intelligent visual and audible warning. Featuring remote intercom and alarm input/output functionality, it realizes convenient linkage.

### Functions

#### Flame Detection

Integrating thermal and video surveillance, detect flame based on abnormal temperature and conform details through the camera.

#### Smart H.265+ & Smart H.264+

With advanced scene-adaptive rate control algorithm, Dahua smart encoding technology realizes the higher encoding efficiency than H.265 and H.264, provides high-quality video, and reduces the cost of storage and transmission.

#### Sound and LED Indication

Supports the light alarm and voice alarm when flame is detected, to realize the deterrence and effective intervention. The camera is built in multiple voices for selection, and supports customized voice importing.

#### Remote Intercom

Built-in MIC and speaker enable remote intercom between software platform and App.

#### Alarm Output

Built-in alarm input and output port to realize linkage output.

- Industry leading uncooled VOx focal plane detector with high sensitivity
- Supports fire detection alarm, cold and hot spot alarm, and industrial temperature measurement alarm functions
- Supports sound and LED indication, and supports binocular fusion
- Visible light adopts a 4MP 1/2.7 inch CMOS image sensor, which has good low illumination effect and high image clarity
- Support IP whitelist and blacklist, MAC whitelist and blacklist, multi-level user management, humanized monitoring, confidentiality, and permission management
- Supports H.265 encoding with high compression ratio, achieving ultra-low bitstream transmission
- Supports 1-way alarm input and 1-way alarm output functions, supports max. 256 G Micro SD card
- Built in MIC and high volume speakers, high decibel alarm sound 70dB  $\geq$  1m (A-weighted)
- Built in high-efficiency infrared fill light, with a maximum infrared monitoring distance of 25 meters
- Supports DC12V/POE power supply mode for easy engineering installation
- Supports IP67 protection level

### Scene

This device is applicable to most places where both fire alarm and video surveillance are needed, such as:

- Community
- Shopping mall
- Warehouse
- Libraries and archive rooms
- Garbage rooms

## Technical Specification

### General

Appearance	Bullet
Type	Radiometry

### Thermal

Detector Type	Vanadium oxide uncooled focal plane detector
Effective Pixels	120 (H) × 90 (V)
Pixel Pitch	17 μm
Spectral Range	8 μm–14 μm
Sensitivity (NETD)	< 60mK (@f/1.0, 300K)
Focal Length	1.2 mm
Field of View	Horizontal: 90° Vertical: 67.5°
Thermal Focus Control	Fixed-focal
Close Focus Distance	0.5 m (1.65 ft)
Aperture	F1.1
Flame Detection Distance	10 m, flame size of 10 cm x 10 cm
Thermal Noise Reduction	3D NR
Image Flip	Normal, corridor mode, reflection
Color Palettes	Supports 12 adjustable pseudo colors including White Heat, Lava, Iron Red, Hot Iron, Medical, Arctic, Rainbow, Black Heat, Human Screening, Red Paint, Blue Heat, and Green Heat
Temperature Measurement Range	-10°C to +200°C (+14°F to 392°F)
Temperature Measurement Accuracy	MAX (±5°C, ±5%)
Temperature Measurement Mode	<ol style="list-style-type: none"> <li>Support real-time point temperature measurement function</li> <li>There are three rules for measuring temperature simultaneously: points, lines, and polygons</li> <li>Supports temperature alarm function</li> <li>Supports cold and hot spot alarm function</li> <li>The temperature measurement unit is Fahrenheit and Celsius, which can be set</li> </ol>

### Visible

Image Sensor	1/2.7" CMOS
Max. Resolution	2688(H)×1520(V)
Pixel	4 MP
Scanning System	Progressive
Min. Illumination	Color: 0.0052 lux B/W: 0.0028 lux 0 lux (IR on)
Visible AGC	Auto; Manual
Visible Noise Reduction	2D NR; 3D NR
S/N Ratio	≥ 55 dB
White Balance	Auto/indoor/outdoor/track/manual/natural/street lamp

Electronic Shutter Speed	1/3 s–1/100000 s (manual/auto)
BLC	Yes
WDR	DWDR
HLC	Yes
Day/Night	Auto (ICR); Color and B/W
Iris Control	Fixed
Image Flip	Normal (0°), corridor mode (90°/270°), Mirror/Flip (180°)
Exposure Compensation	Yes
Visible Focus Control	Fixed-focal
Focal Length	4 mm
Field of View	H: 85° V: 44° D: 99°
Close Focus Distance	1 m (3.28 ft)
Aperture	F1.6
Illuminator Type	2 (IR LED)
Illuminator On/Off Control	Auto; Manual
Illumination Distance	25 m (80.35 ft)

### Audio and Video

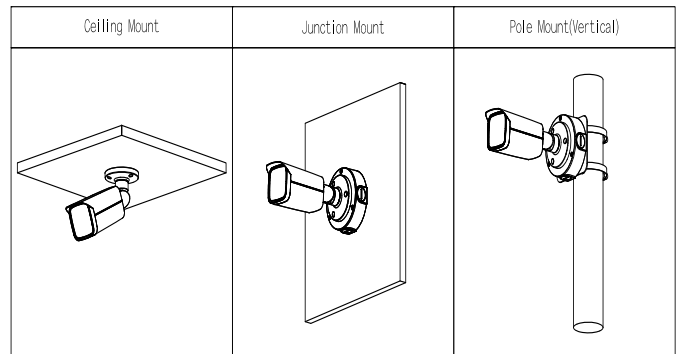
Video Compression	H.265; H.264; H.264H; H.264B; MJPEG
Resolution	Visible: Main stream: (4M (2688×1520))/1080P (1920 × 1080)/1.3M (1280 × 960)/720P (1280 × 720), default (1920 × 1080) Sub stream: (D1 (704 × 576))/VGA (640×480)/CIF (352×288)), default (704×576)
Video Frame Rate	Visible: Main stream: 1 fps–25 fps adjustable, 25 fps by default Sub stream: 1 fps–25 fps adjustable, 25 fps by default
Audio Compression	MPEG2-Layer2; G.711a; G.711mu; AAC; PCM; G.722.1; G.726
Image Encoding Format	JPEG
Audio Sampling	8K; 16K

### Function

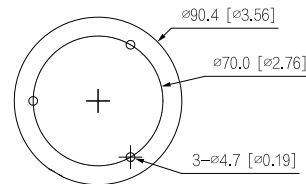
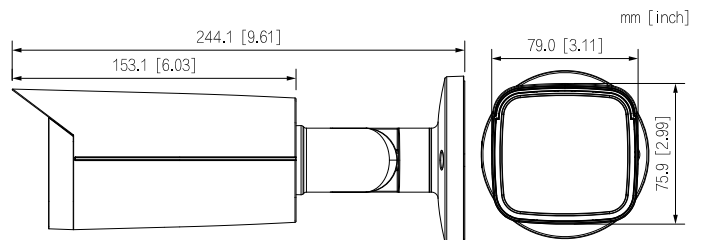
Built-in MIC	Yes
Built-in Speaker	Yes
Sound and Light Alarm	Yes
Network Protocol	HTTPS; HTTP; TCP; ARP; RTSP; RTP; UDP; RTCP; SMTP; FTP; DHCP; DNS; DDNS; PPPOE; IPv4/v6; SNMP; QoS; UPnP; NTP
Privacy Masking	Yes (4 areas)
Storage	FTP; NAS; SFTP
Interoperability	ONVIF; CGI; Wisualarm
Browser	IE: IE 9 and later (Edge is not supported) Chrome: 42 and earlier Firefox: 42 and earlier
User/Host	Up to 10 (total bandwidth: 100 MB)

Default	Support one-click restore
Security	Username and password; MAC address; HTTPS; IEEE802.1x; network access control
User Management	Up to 10 users
Malfunction Detection	ICON network disconnection detection; IP conflict detection
<b>Intelligence</b>	
Heat Detection	Yes
Heat Detection Distance (recommend)	10 m (32.81 ft)
<b>Port</b>	
Network Port	1 RJ-45 PoE 10M/100M Ethernet ports
Alarm Input	1 channel in: 5mA 3V~5V DC
Alarm Output	1 channel out: 300mA 12V DC
Alarm Linkage	Trigger switch output/email/snapshot
<b>Power</b>	
Power Supply	DC12V(±30%)/POE
Power Consumption	Basic: 1.8 W Max.: 5.16 W
<b>Environment</b>	
Operating Temperature	-40°C to +60°C (-40°F to +140°F)
Operating Humidity	≤ 95%
<b>Construction</b>	
Protection	IP67
Product Dimensions	244.1 mm×79.0 mm×75.9 mm (9.61" × 3.11" × 2.99" )
Packaging Dimensions	307.0 mm×155.0 mm×143.0 mm (12.09" × 6.10" × 5.63")(L × W × H)
Net Weight	0.8 kg (1.77 lb)
Gross Weight	1.1kg (2.43 lb)
Installation	Wall mount; Ceiling mount; Vertical pole mount
Power Adapter	Optional
Lens	Standard
Certifications	CE; UKCA

## Installation



## Dimensions (mm[inch])



## Ordering Information

Type	Part Number	Description
Flame Detection Network Camera	DHI-HY-FT431LFP-TD1F4	Flame Detection Network Camera
Accessories (optional)	PFM321D	12 VDC 1A Power Adapter
	PFA130-E	Water-proof Junction Box
	PFA152-E	Pole Mount Bracket
	DHI-TF-P100	Dahua micro SD Card P100 256GB

## Accessories

Optional:



PFA130-E  
Water-proof  
Junction Box



PFA152-E  
Pole Mount Bracket



DHI-TF-P100  
Micro SD Card  
P100 256GB



PFM321D  
12 VDC 1A  
Power Adapter