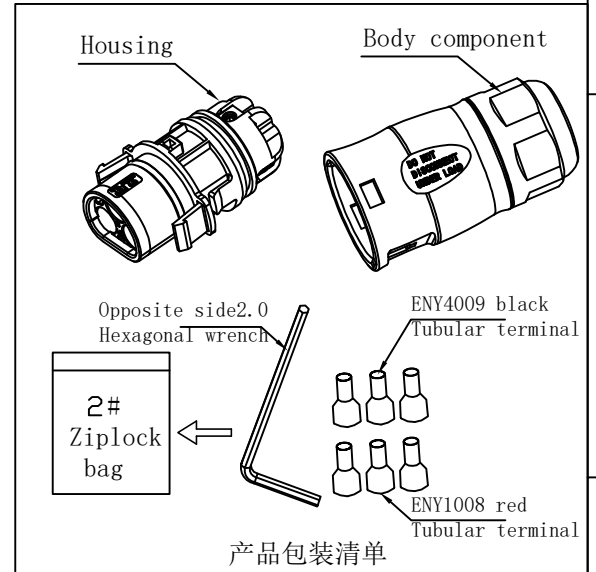
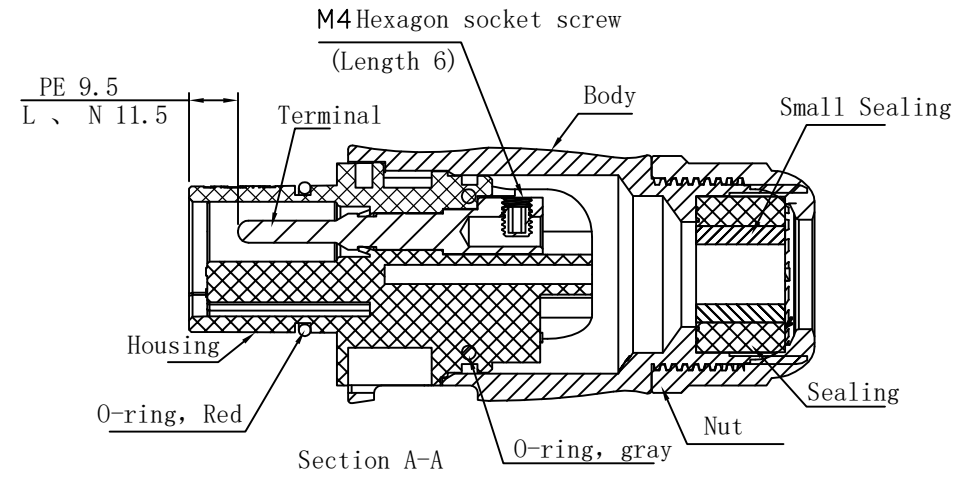
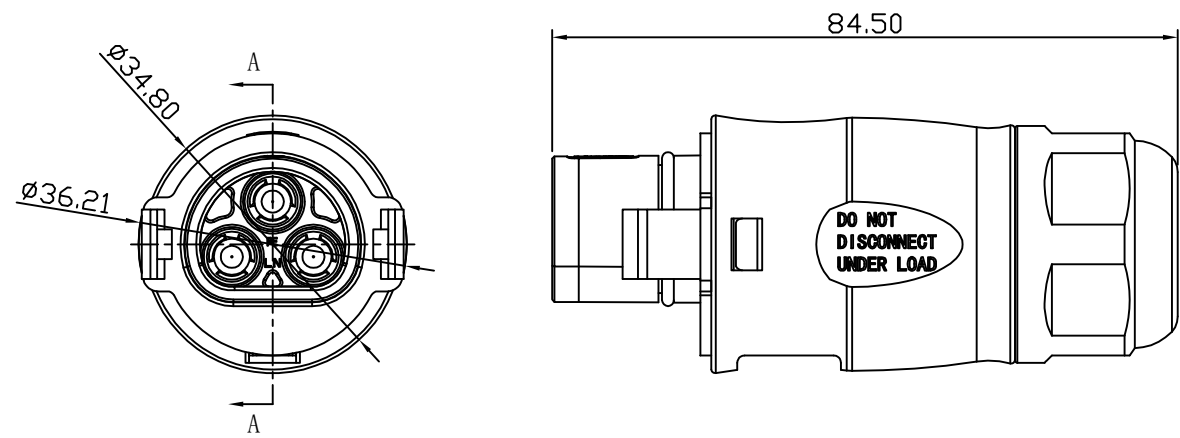


Rev.	ECN No.	Description	App.
A0	N/A	First Issue	Jason
A1	ECN202305002	With automation, screw lengthening	Jason



**Technical Data :**

- Electrical:**
1. Rated Voltage : 690V
  2. Rated Current : 40A
  3. Rated Impulse Voltage: 4000V
  4. Contact Resistance :  $\leq 5m\Omega$  ;
  5. Insulation Resistance :  $\geq 500M\Omega$

- Mechanical:**
1. Life cycle : 500 cycle;
  2. Mating and Unmating Force:  $\leq 80N$
  3. Cable Gauge: 1.5~6.0mm<sup>2</sup> (16~10AWG) ;

- Environmental:**
1. Waterproof Rate : IP68
  2. Application Temperature : -40℃~+85℃
- Terminal plating: 80u" Ag Plating, Over Ni Plating



<b>苏州鲁益电子科技有限公司</b> Su Zhou Luyi Electronic Technology CO.,LTD.		<b>Name:</b> C-Drawing	
		<b>Title:</b> WN 3P Male Conn. (Screw crimping)	
<b>Undeclared tolerance:</b>		<b>Approved</b> Jason	
1. Reference : GB/T1804-m		<b>Date</b> 2023-05-18	
2. Draft Angle 0.5° Max.		<b>Checked</b> Bruce	
<small>The intellectual property rights of the drawings and specifications belong to Su Zhou Luyi Electronic Technology CO.,LTD. Not Su Zhou Luyi Electronic Technology CO.,LTD. shall not be granted to any Mode reprint, copy.</small>		<b>Date</b> 2023-05-18	
		<b>Design</b> Yibin, Li	
<b>Date</b> 2023-05-18		<b>Drawing No.:</b> 30220405000185	
		<b>SIZE</b> A4	
		<b>SHEET</b> 1 / 1	
		<b>REV.</b> A1	