

## DS-1272ZJ-110B-Black

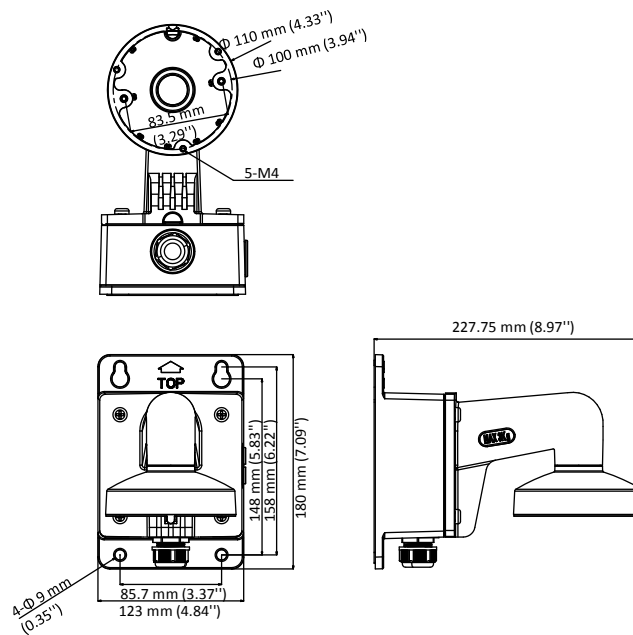
Wall Mount



### Feature

- Aluminum alloy with surface spray treatment
- With cable outlet(s)
- The power box part adopts waterproof design

### Dimension



### Available Model

DS-1272ZJ-110B-Black

### Parameter

|            |   |
|------------|---|
| Model      | DS-1272ZJ-110B-Black                                |
| Parameters | Wall Mount  |
| Appearance | Hikvision Black                                     |
| Material   | Aluminum Alloy                                      |
| Dimension  | 123 mm × 180 mm × 227.75 mm (4.84" × 7.09" × 8.97") |
| Weight     | Approx. 1205 g (2.66 lb.)                           |

### Note

- The mount should be installed on a flat surface.
- The waterproof rubber is necessary for the outdoor application.
- The wall should be capable of supporting at least 3 times as much as the total weight of the camera, and the mount.
- The maximum load capacity of the mount is 4.5 kg (9.92 lb.).