

915 Omni antenna

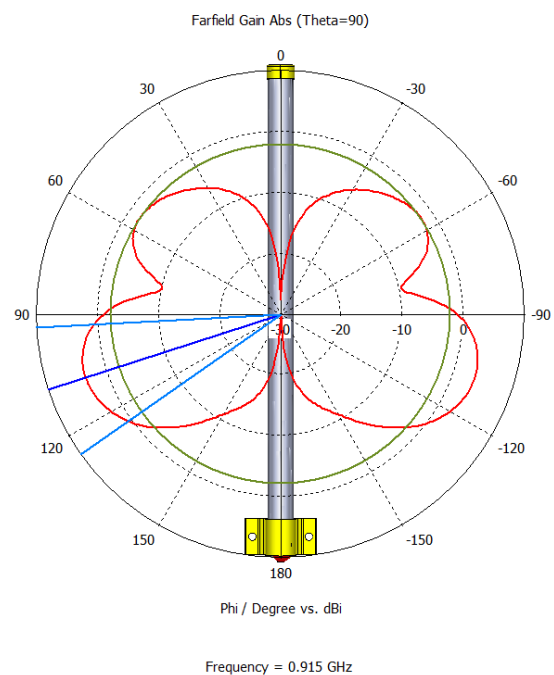
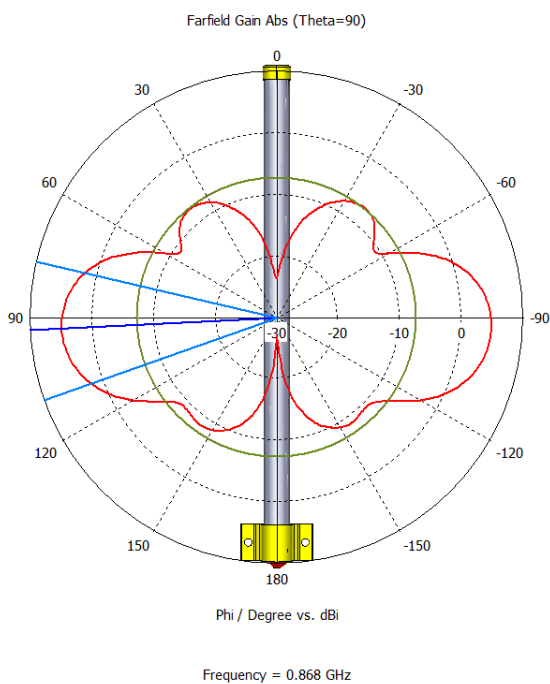
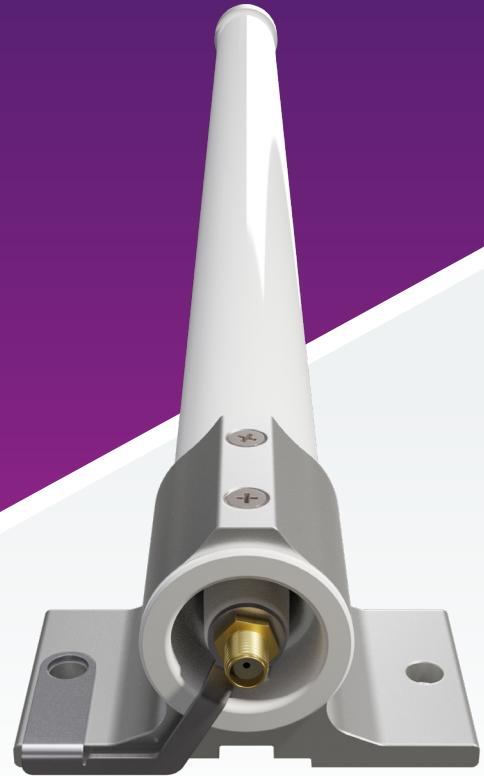
Antenna kit for LoRa®



A 6.5 dBi omni antenna kit for LoRa® within the 900-928 MHz frequency range. It has a strong 1m long SMA cable, and a mechanical holder for quick and easy mast attachment.

The improved cable durability and the IP66 water resistance rating (protection against powerful jets) make this kit an excellent choice for all kinds of marine and coastal projects.

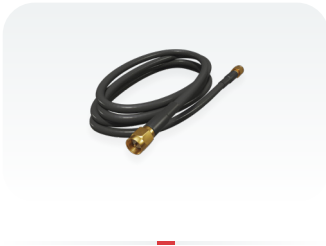
You can use it with the KNOT LR9 kit, wAP KR9, or other LoRa devices with the appropriate frequency support.



Specifications

Product code	915_Omni_antenna
Frequency	900 - 928 MHz
Peak gain	6.5dBi (868 MHz) / 4.5dBi (915 MHz)
Horizontal beamwidth	360°
Vertical beamwidth	30°
Nominal impedance	50 Ω
Lightning protection	DC ground
Connector	SMA female
Weight	0.6 kg
Dimensions	42 x 68 x 495 mm

Included parts



SMA
cable



Fastening
set