

## Mechanical

Dimensions	141.8 x 127.6 x 30 mm (5.6 x 5 x 1.2")
Weight	520 g (1.1 lb)
Enclosure material	Polycarbonate

## Hardware

Processor	Quad-core ARM® Cortex®-A53 at 1.5 GHz
System memory	3 GB DDR4
On-board storage	16 GB eMMC
Management interface	EthernetBluetooth
Networking interface	LAN:(4) GbE RJ45 portsWAN:(1) 1/2.5 GbE RJ45 port
IDS/IPS throughput	1 Gbps**Measured with iPerf3 on a DHCP network. Performance may be reduced with PPPoE depending on ISP implementation.
Power method	USB type C (5V DC/3A)
Supported voltage range	100–240V AC
Max. power consumption	6.2W
LCM display	0.96" status display
Button	Factory reset
Ambient operating temperature	-10 to 40° C (14 to 104° F)
Ambient operating humidity	5 to 95% noncondensing
Certifications	CE, FCC, IC

## Gateway Features

Performance	Redundant WAN with failover and load balancing WiFi QoS with UniFi APs Application, domain, and country-based QoS Application and device type identification Additional internet failover with LTE Backup Internet quality and outage reporting
Next-generation security	Application-aware firewall rules Signature-based IPS/IDS threat detection Content, country, domain, and ad filtering VLAN/subnet-based traffic segmentation Full stateful firewall
Advanced networking	License-free SD-WAN WireGuard, L2TP and OpenVPN server OpenVPN client OpenVPN and IPsec site-to-site VPN One-click Teleport and Identity VPN Policy-based WAN and VPN routing DHCP relay Customizable DHCP server IGMP proxy IPv6 ISP support

---

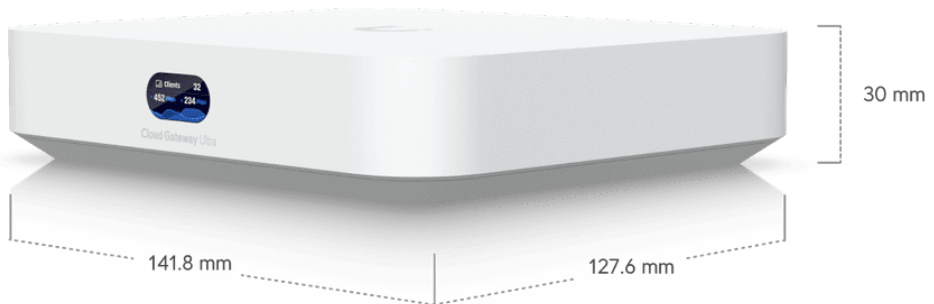
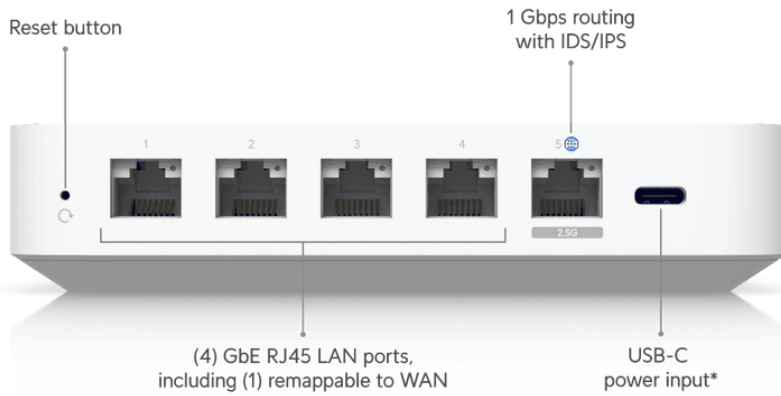
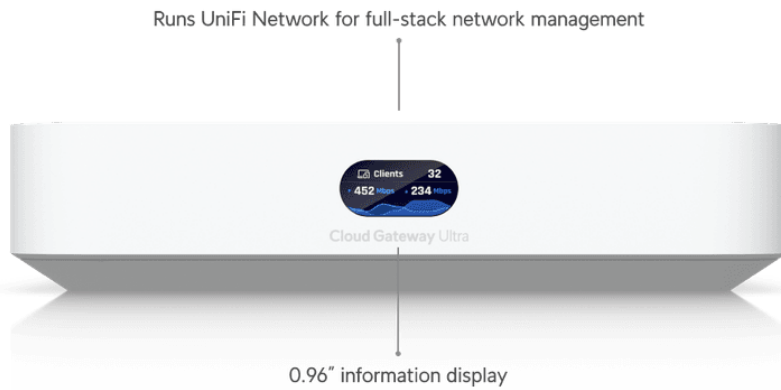
## LEDs

Ethernet	Green: link/activity
----------	----------------------

---

## Application Requirements

Mobile app	UniFi iOS™: Version 10.12.0 and later UniFi Android™: Version 10.11.2 and later
------------	--



\*5V DC, 3A USB-C adapter included.