

Mechanical

Dimensions	442.4 x 267.5 x 43.7 mm (17.4 x 10.5 x 1.7")
Weight	4.16 kg (9.2 lb)
Enclosure materials	SGCC steel, polycarbonate/ABS

Hardware

Networking interface	(1) 10/100 MbE RJ45 LAN port
Management interface	Ethernet In-BandBluetooth
Power TransPort interface	(3) Power TransPort ports [up to 250W (27V DC) output each]Total output: 240W (27V DC) with 1 PSU / 480W (27V DC) with 2 PSUs
Primary power	(2) Universal AC inputs (100–240V AC, 3.5A Max., 50/60Hz)(1) PSU included (Additional modules sold separately.)
Backup power	(1) 24V DC, 20.83A lead-acid battery input* (Battery not included.)*Connect to a lead-acid battery only. Using another battery type could be hazardous.
Supported voltage range	100 to 240V AC
Max. power consumption	3W (Excludes Power TransPort output and battery charger.)
ESD/EMP protection	Air: ±15 kV / Contact: ± 8 kV
LCM display	1.3" touchscreen
Ambient operating temperature	-10 to 50° C (14 to 122° F)
Ambient operating humidity	5 to 95% non-condensing
Certifications	CE, FCC, IC, PTCRB, AT&T

LTE

Antenna	External (included)
SIM	Nano-SIM
Category	Cat M1
Bands	US/Canada: FDD-LTE Bands 2, 4, 12, 13 (AT&T Network-Ready)EU: FDD-LTE Bands 1, 3, 8, 20, 28
Notification type	SMS (Requires a nano-SIM card from a Cat M1 SMS provider.)
Input rating	5V DC, 0.5A

LEDs

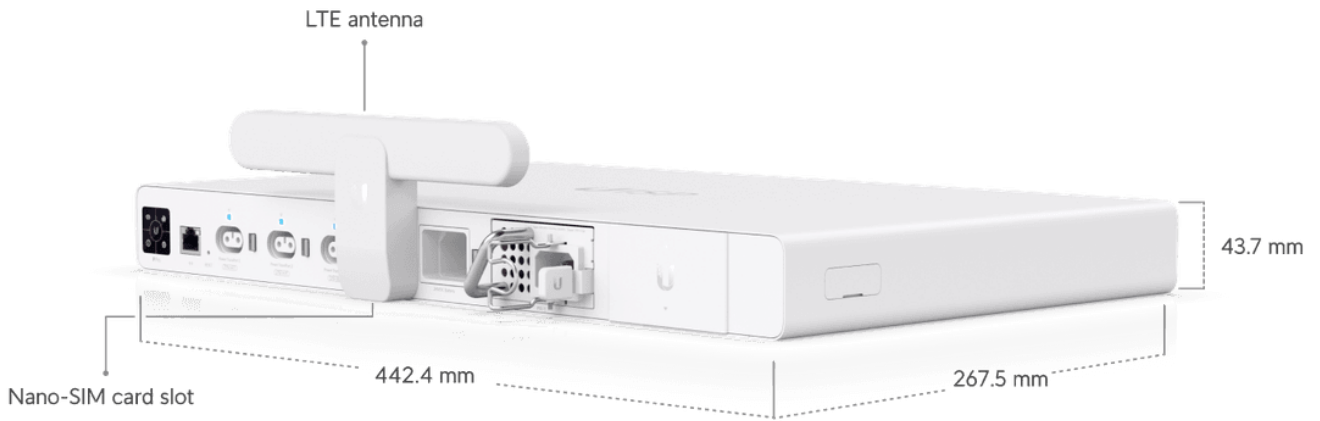
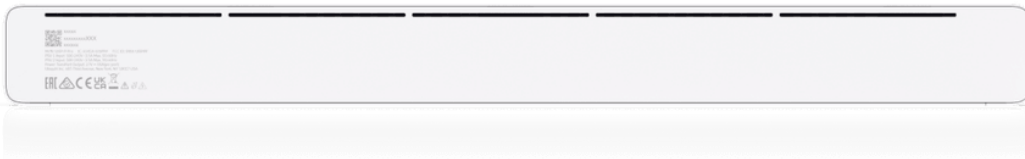
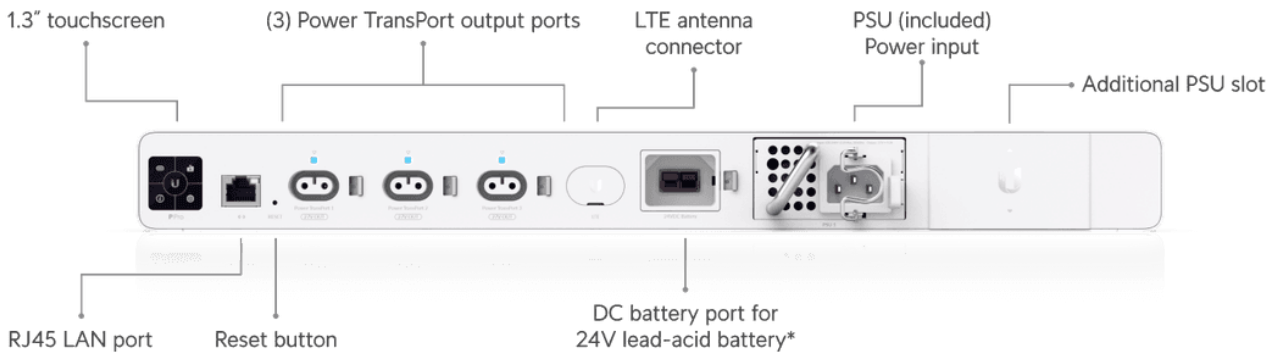
System	Status
RJ45 data ports	Link/activity
Power TransPort	On/Off

Compatibility

Supported models	UIISP Console UIISP Router (installed with UIISP Box) UIISP Router Pro UIISP Switch (installed with UIISP Box) UIISP Switch Pro
------------------	---

Software

Management application	UIISP: Version 1.4.8 and later
------------------------	--------------------------------



*Connect to a lead-acid battery only. Using another battery type could be hazardous.