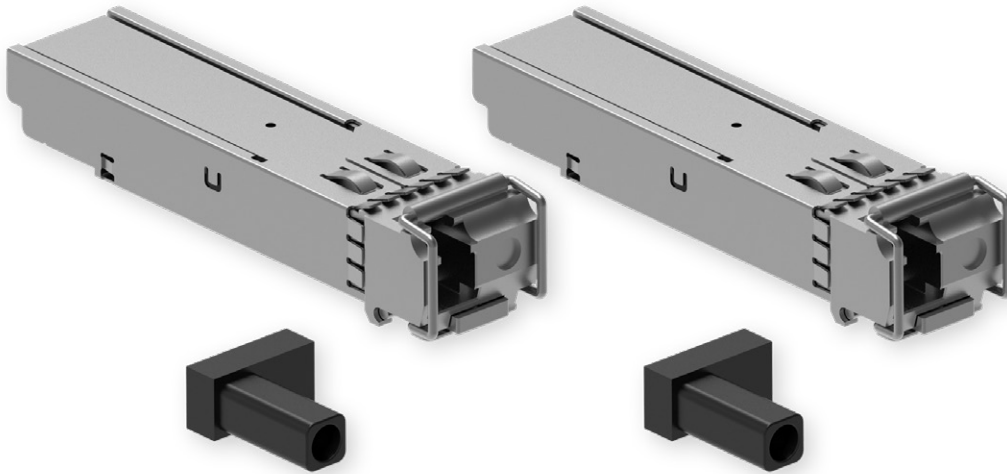


# 1.25 Gb/s 20 KM BIDI SFP TRANSCEIVER



## Technical data

This accessory consists of two SFP adapters, which are sold as a pair

Adapter 1	DS-IAE-SFP-G B20X-I_1.25G BIDI SFP135H-ECE
Connector	Simplex LC
Supported media	Single-mode fiber
Data rate	1.25 Gb/s
Max. power consumption	< 0.8 W
Cable distance	Up to 20 km reach over G.652 SMF
Operating humidity	5 to 85 %
TX wavelength	1310 nm
RX wavelength	1550 nm
Temperature range	-40°C ~ +85°C
Case	Fully metallic enclosure for low EMI and excellent ESD protection
RoHS	✓
REACH	✓

Adapter 2	DS-IAE-SFP-G B20X-I_1.25G BIDI SFP155H-ELE1
Connector	Simplex LC
Supported media	Single-mode fiber
Data rate	1.25 Gb/s
Max. power consumption	< 0.8 W
Cable distance	Up to 20 km reach over G.652 SMF
Operating humidity	5 to 85 %
TX wavelength	1550 nm
RX wavelength	1310 nm
Temperature range	-40°C ~ +85°C
Case	Fully metallic enclosure for low EMI and excellent ESD protection
RoHS	✓
REACH	✓

### Spatial measurements

